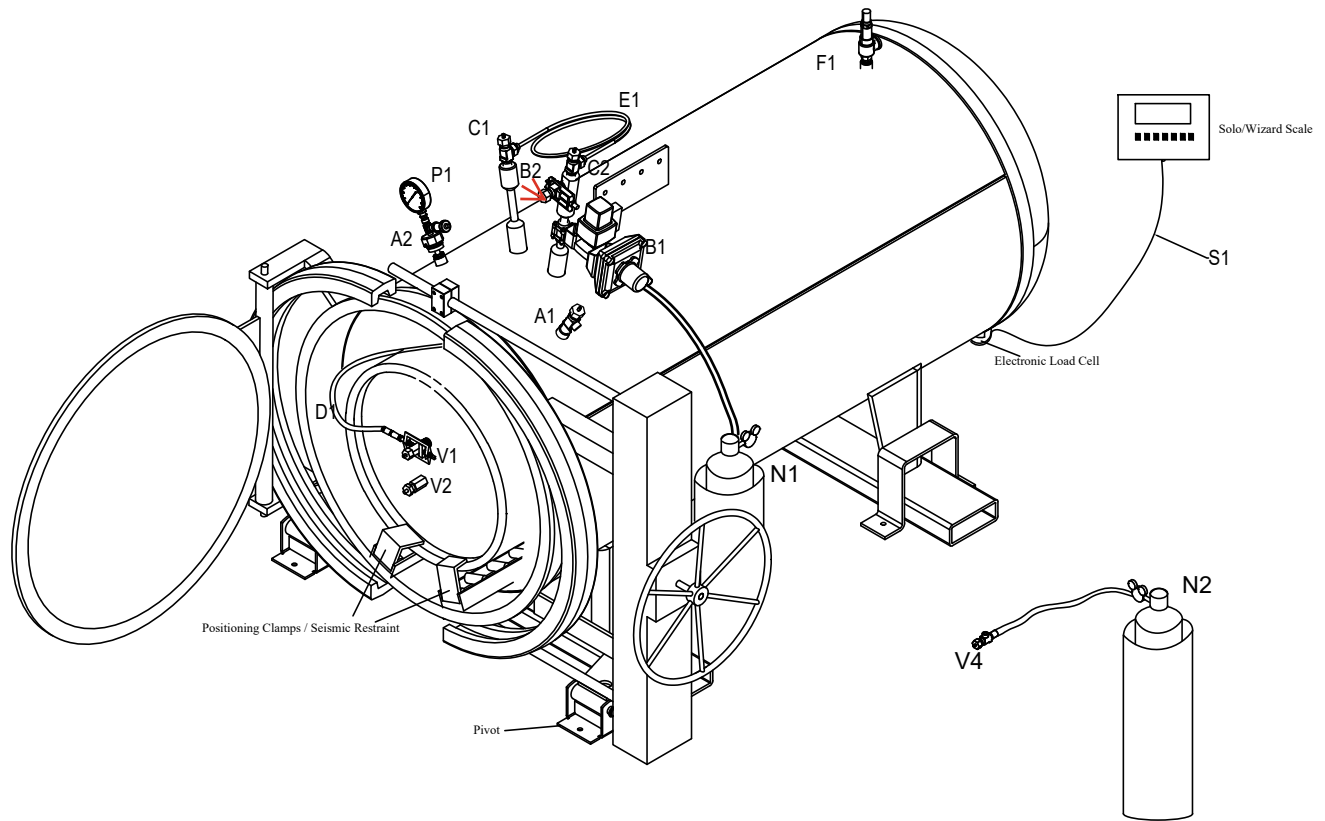


Total Containment System for Chlorine Ton Container

Diagram 1



LEGEND:

- | | | | |
|----|---|----|---|
| A1 | Cl ₂ Ton Valve for Pressure Check | F1 | Pressure Relief Valve |
| A2 | Cl ₂ Ton Valve for Vacuum/Pressure Gauge | V1 | Container Cl ₂ Gas Supply Valve |
| B1 | Cl ₂ Ball Valve with Failsafe Actuator | V2 | Container Cl ₂ Liquid Supply Valve |
| B2 | Cl ₂ Valve for Cl ₂ Supply | V4 | Nitrogen Leak Test/Purge Assembly |
| C1 | Cl ₂ Ton Valve for Evacuation | N1 | Nitrogen Supply Regulator |
| C2 | Secondary Cl ₂ Ton Valve for Evacuation | N2 | Nitrogen Purge Supply with Regulator |
| D1 | Interior Supply Line | P1 | Vacuum/Pressure Gauge with Transducer |
| E1 | Cl ₂ Pigtail Evacuation Line | S1 | Scale System |