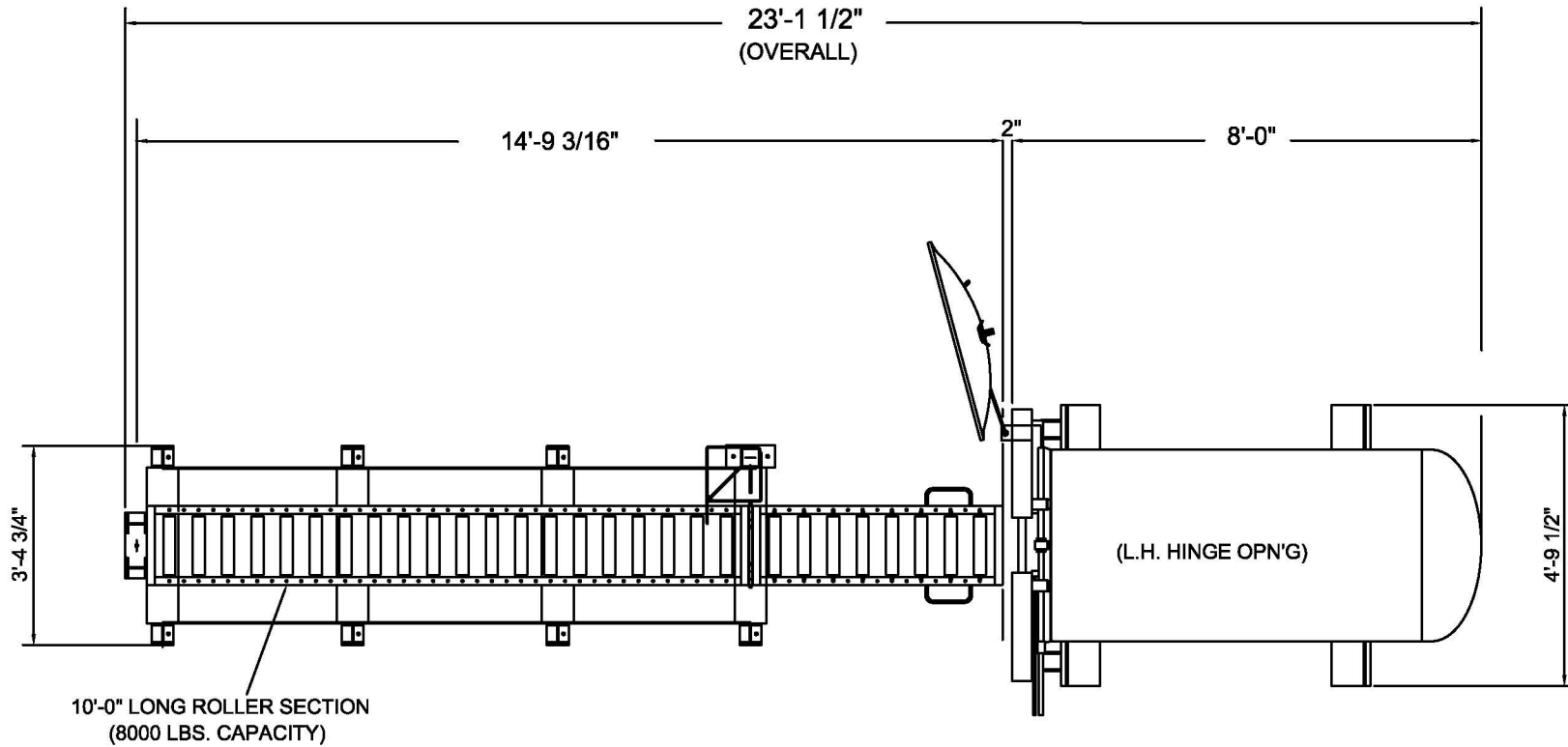


Area Requirements for (1) Ton Containment Vessel
with Standard Fixed Loader

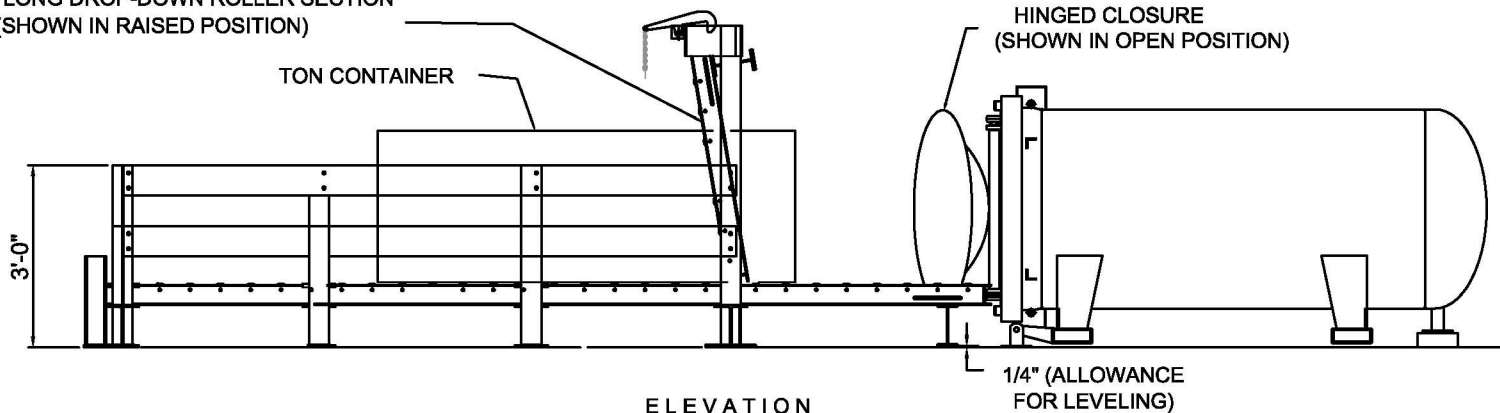
Site layout consultation services available
at no extra charge



4'-0" LONG DROP-DOWN ROLLER SECTION (SHOWN IN RAISED POSITION)

TON CONTAINER

HINGED CLOSURE (SHOWN IN OPEN POSITION)



Not Drawn To Scale