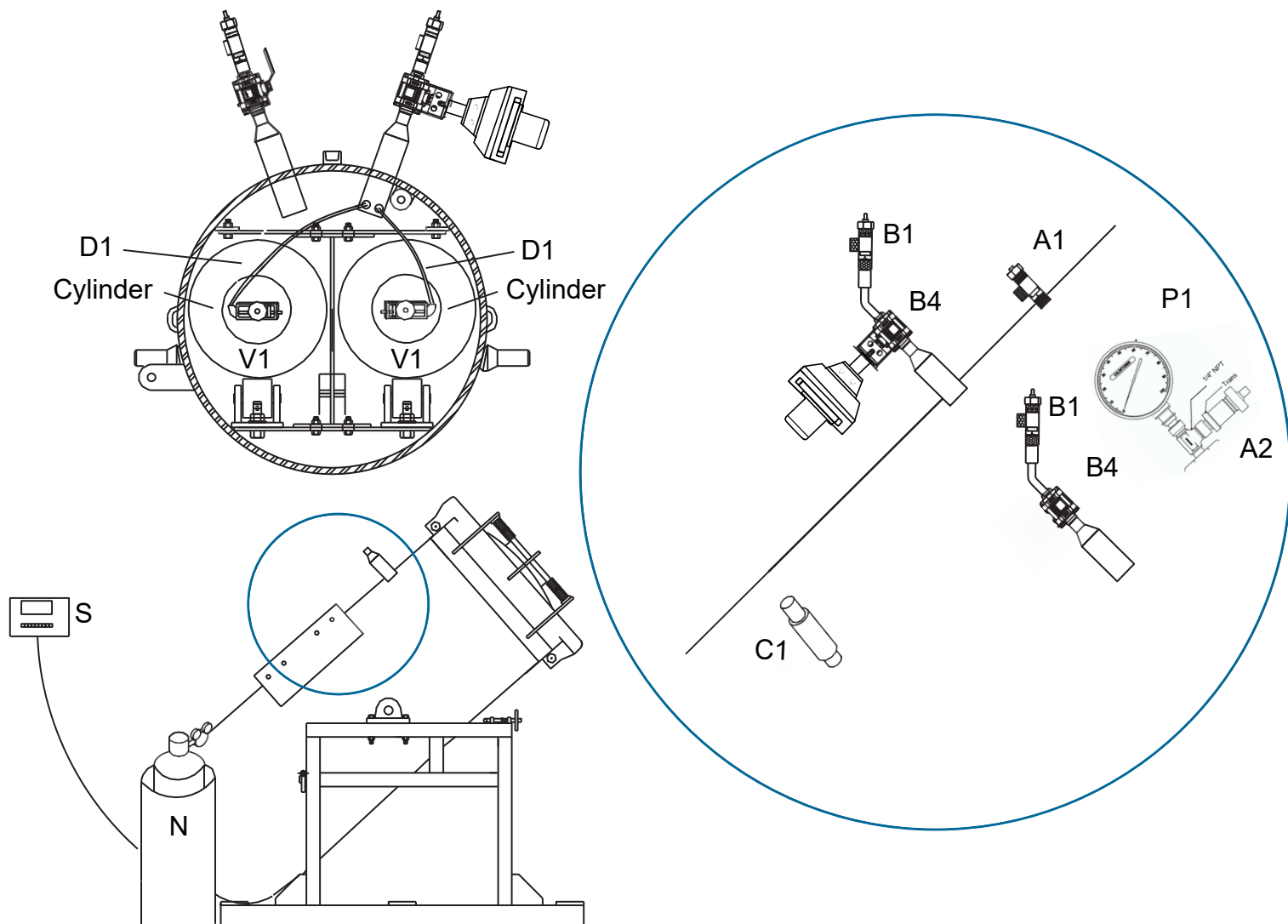


Twin 150 Diagram

Valve Identification & Location Guide

Diagram Two



- A1 Pressure Check Valve
- A2 Cl₂ Ton Valve for Vacuum/Pressure Gauge & Transducer
- B1 Exterior Cl₂ Supply Valve
- B2 Alternate Exterior Cl₂ Supply Valve
- B3 Alternate Exterior Cl₂ Ball Valve
- B4 Exterior Cl₂ Ball Valve with Failsafe Actuator

- C1 Automatic Pressure Relief Valve
- D1 Interior Supply Line
- N Nitrogen
- P1 Vacuum/Pressure Gauge with Transducer
- S Solo G2
- V1 Interior Cylinder Supply Valve