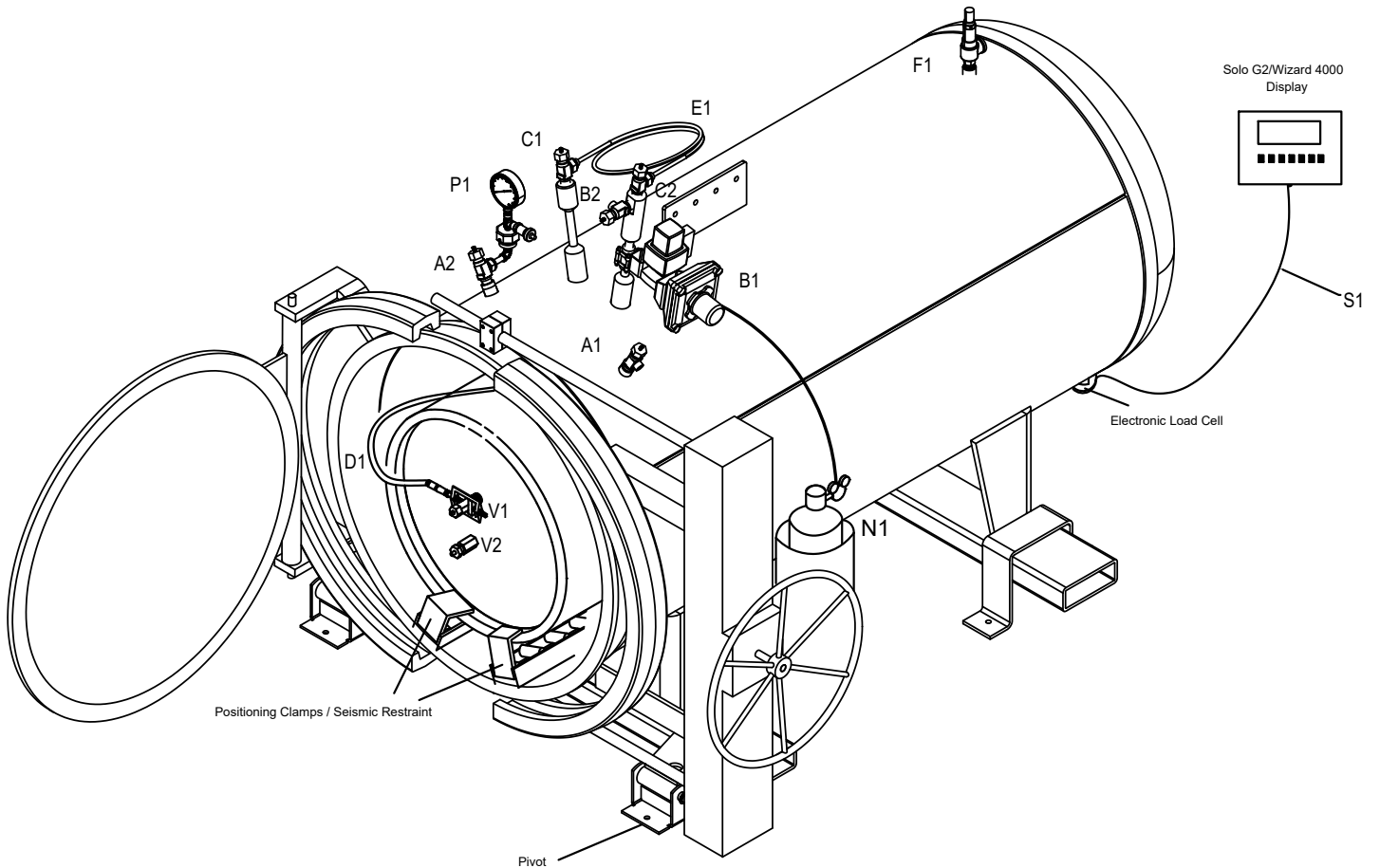


Total Containment System for Chlorine Ton Container

Diagram 1



LEGEND:

- | | | | |
|----|--|----|---|
| A1 | Cl ₂ Ton Valve for Pressure Check | E1 | Cl ₂ Pigtail Evacuation Line |
| A2 | Cl ₂ Ton Valve for Vacuum/Pressure Gauge & Transducer | F1 | Pressure Relief Valve |
| B1 | Cl ₂ Ball Valve w/ Failsafe Actuator | V1 | Container Cl ₂ Gas Supply Valve |
| B2 | Cl ₂ Ton Valve for Chlorine Supply | V2 | Container Cl ₂ Liquid Supply Valve |
| C1 | Cl ₂ Ton Valve for Evacuation | N1 | Nitrogen Supply Regulator |
| C2 | Secondary Cl ₂ Ton Valve for Evacuation | P1 | Vacuum/Pressure Gauge & Transducer |
| D1 | Interior Supply Line | S1 | Scale System |