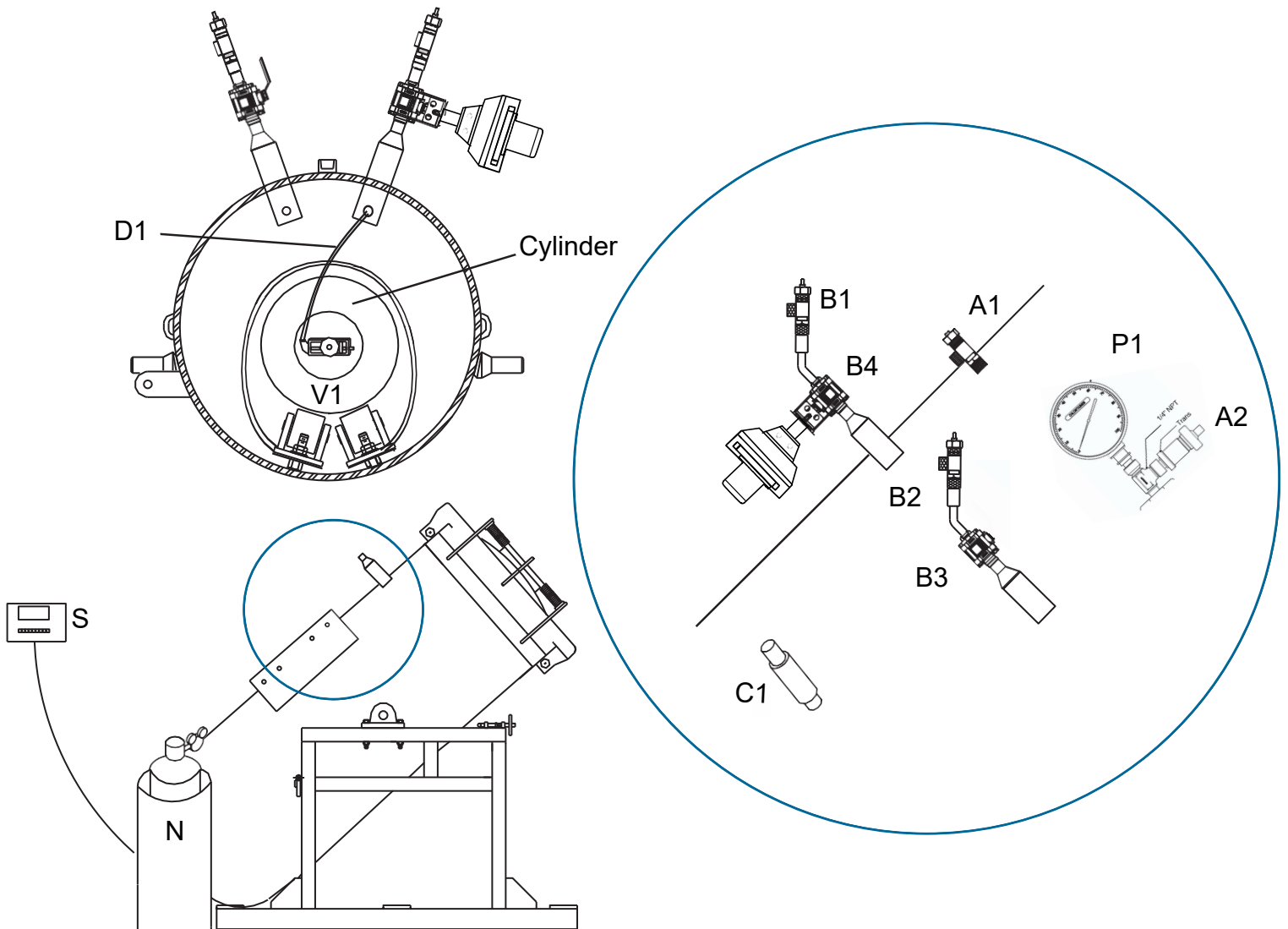


# Single 150 Diagram

## Valve Identification & Location Guide

### Diagram Two



- A1 Pressure Check Valve
- A2 Cl<sub>2</sub> Valve for Vacuum/Pressure Gauge and Transducer
- B1 Exterior Cl<sub>2</sub> Supply Valve
- B2 Alternate Exterior Cl<sub>2</sub> Supply Valve
- B3 Alternate Exterior Cl<sub>2</sub> Ball Valve
- B4 Exterior Cl<sub>2</sub> Ball Valve with Failsafe Actuator

- C1 Automatic Pressure Relief Valve
- D1 Interior Supply Line
- N Nitrogen Supply with Regulator
- P1 Vacuum/Pressure Gauge and Transducer
- S Solo G2 Indicator
- V1 Interior Cylinder Supply Valve