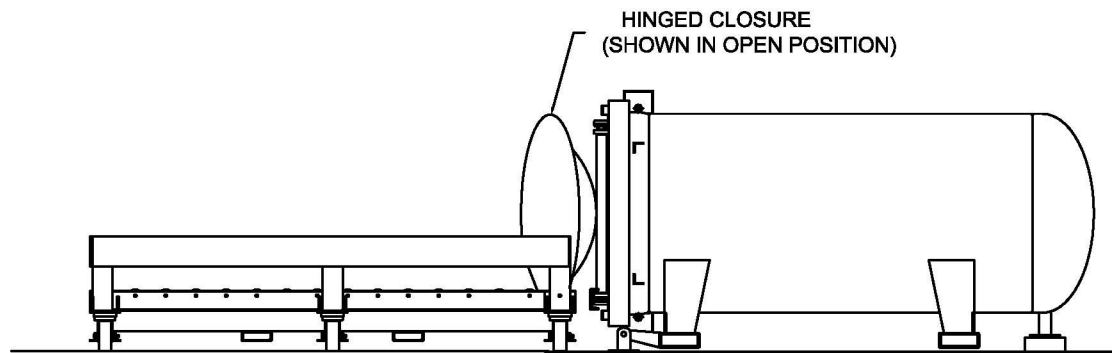
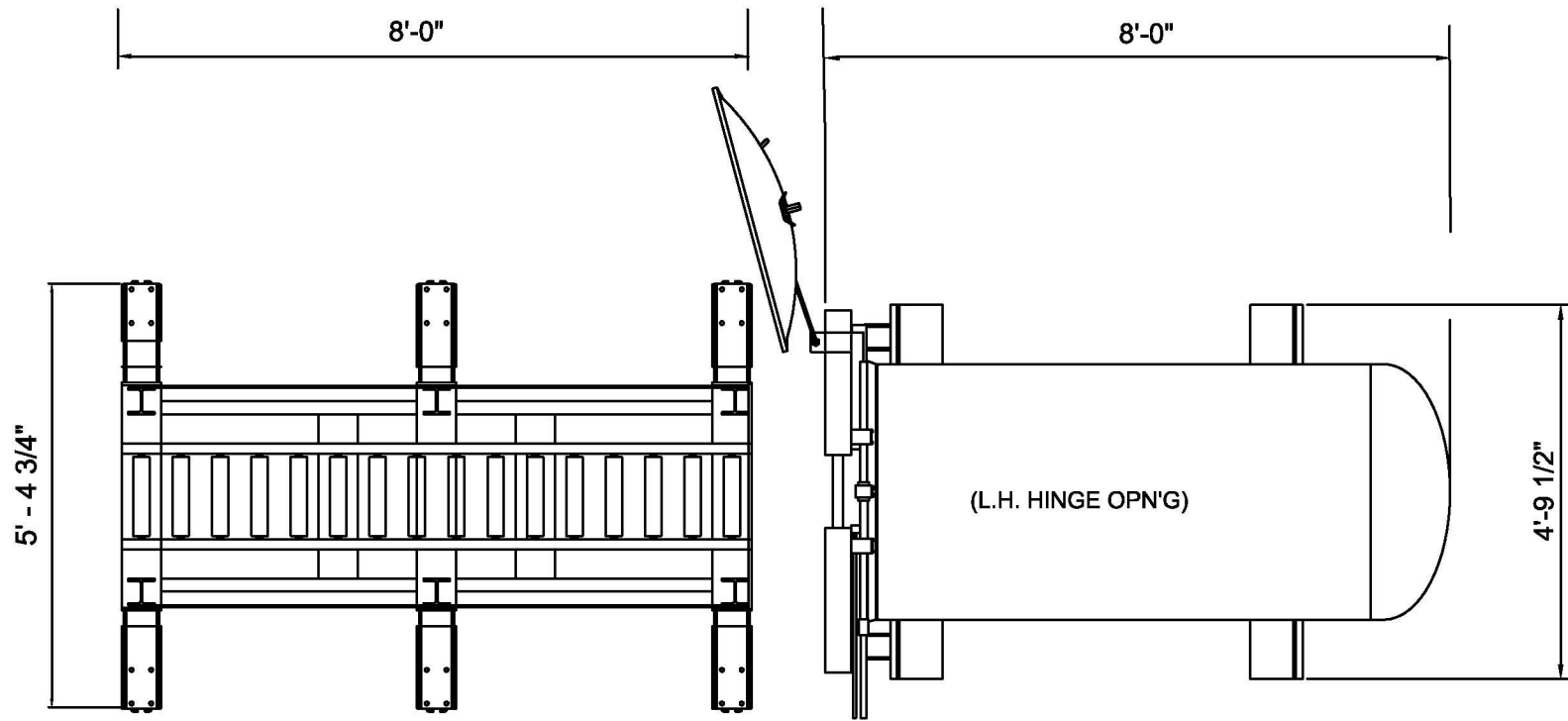


Area Requirements for Ton Containment Vessel
with Movable Loader

Site layout consultation services available
at no extra charge



Not Drawn To Scale

ELEVATION