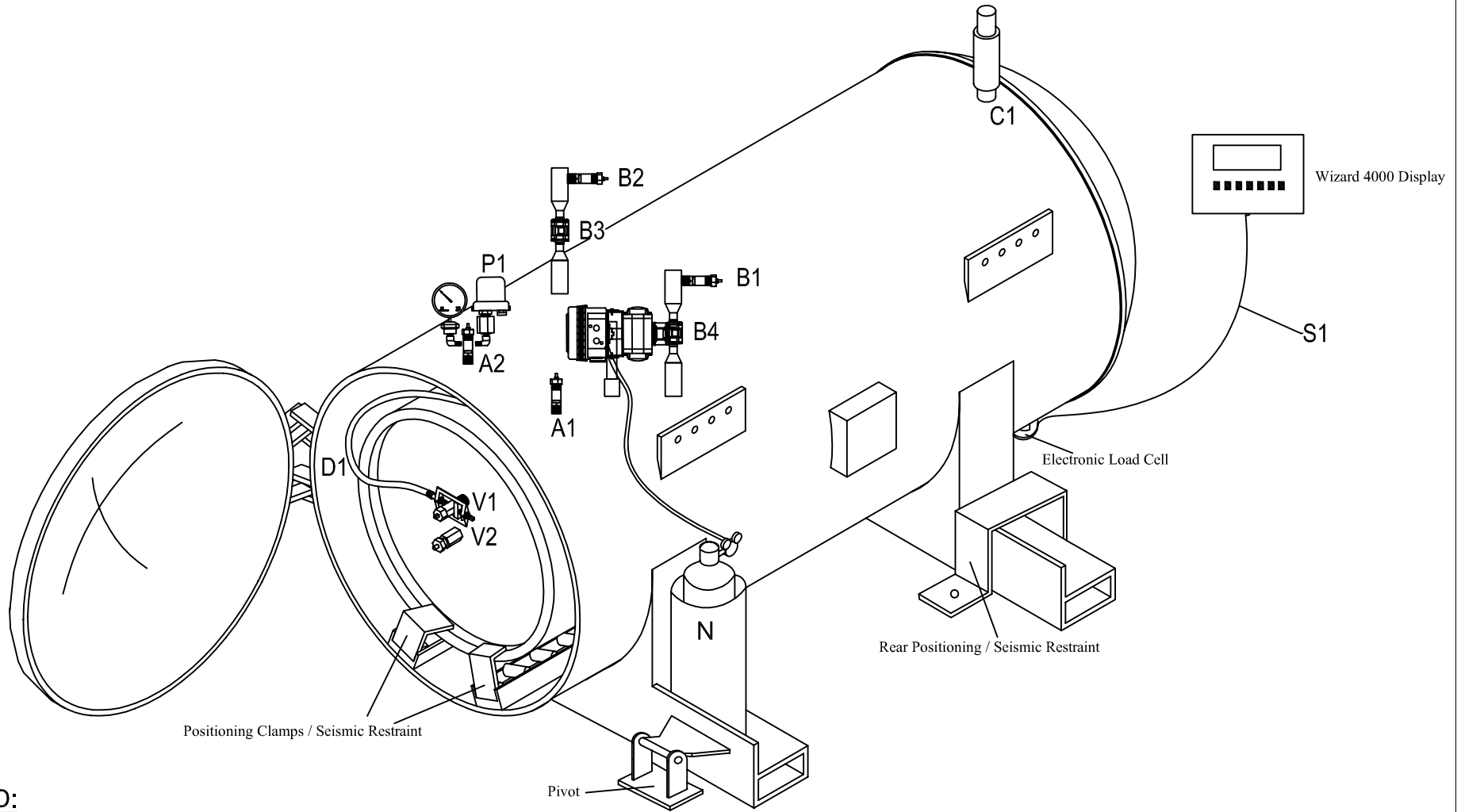


TGO TECHNOLOGIES - TOTAL CONTAINMENT SYSTEM FOR CHLORINE TON CYLINDER



LEGEND:

- | | | | | | |
|----|----------------------------------------------------------|----|--------------------------------|----|------------------------------|
| A1 | Pressure Check Valve | C1 | Pressure Relief Valve | P1 | Pressure Differential Switch |
| A2 | Vacuum/Pressure Gauge Valve | D1 | Interior Supply Line | S1 | Scale System |
| B1 | Exterior Cl ₂ Supply Valve | V1 | Interior Gas Supply Valve | | |
| B2 | Alternate Exterior Cl ₂ Supply Valve | V2 | Interior Liquid Supply Valve | | |
| B3 | Alternate Exterior Cl ₂ Supply Ball Valve | N | Nitrogen Supply with Regulator | | |
| B4 | Exterior Cl ₂ Ball Valve W/Fail-Safe Actuator | | | | |