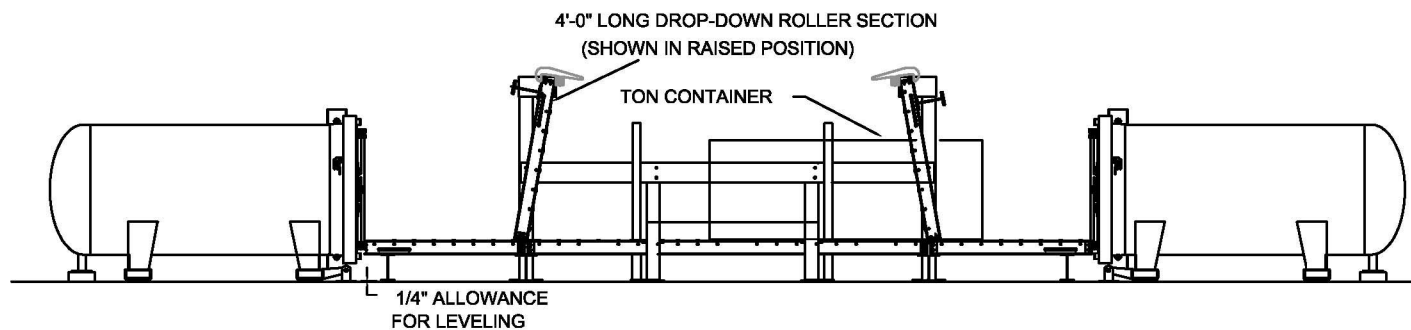
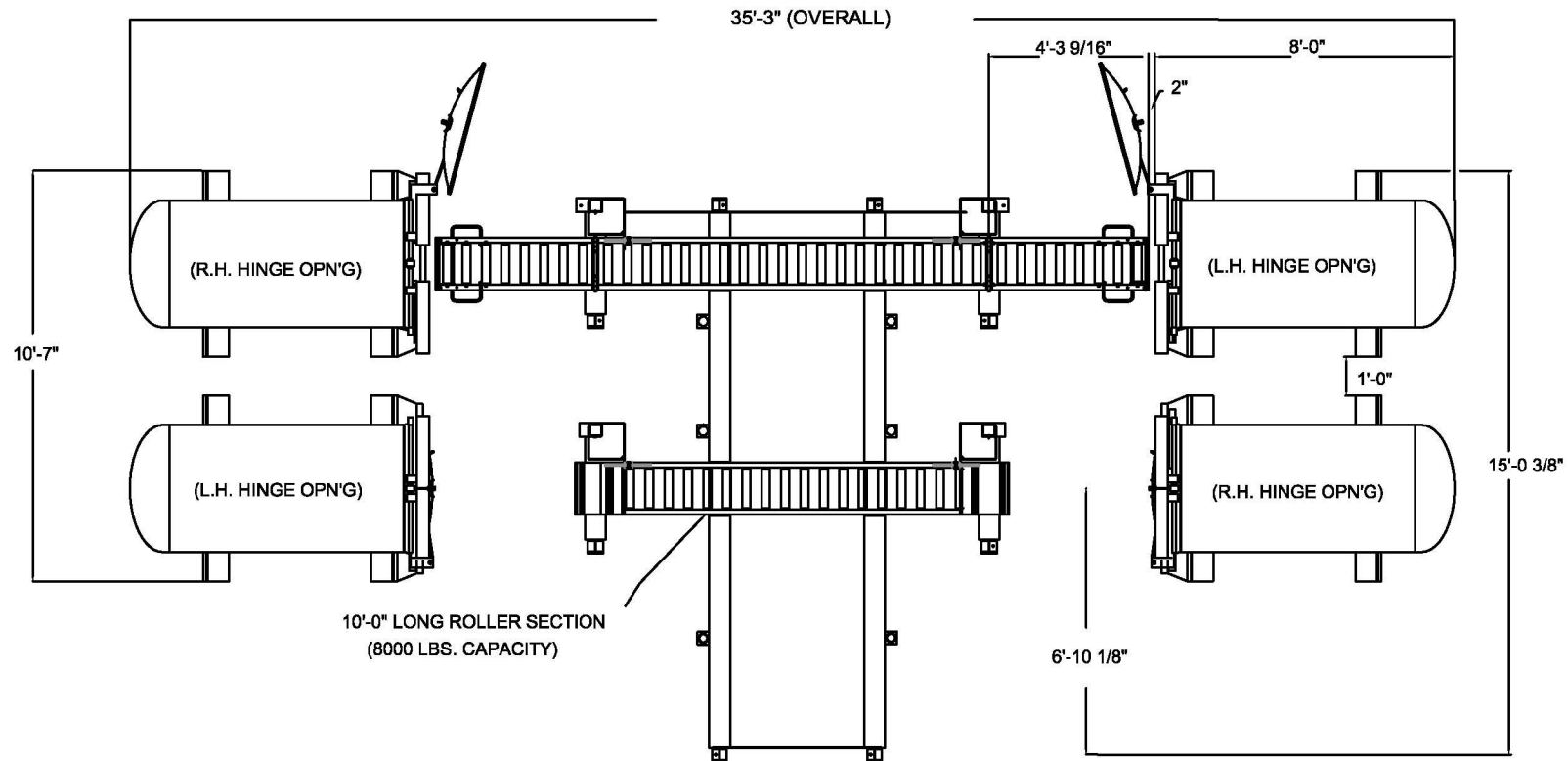


Area Requirements for (4) Ton Containment Vessels
with Customized Fixed Loader with Storage

Site layout consultation services available
at no extra charge



ELEVATION

NOT DRAWN TO SCALE