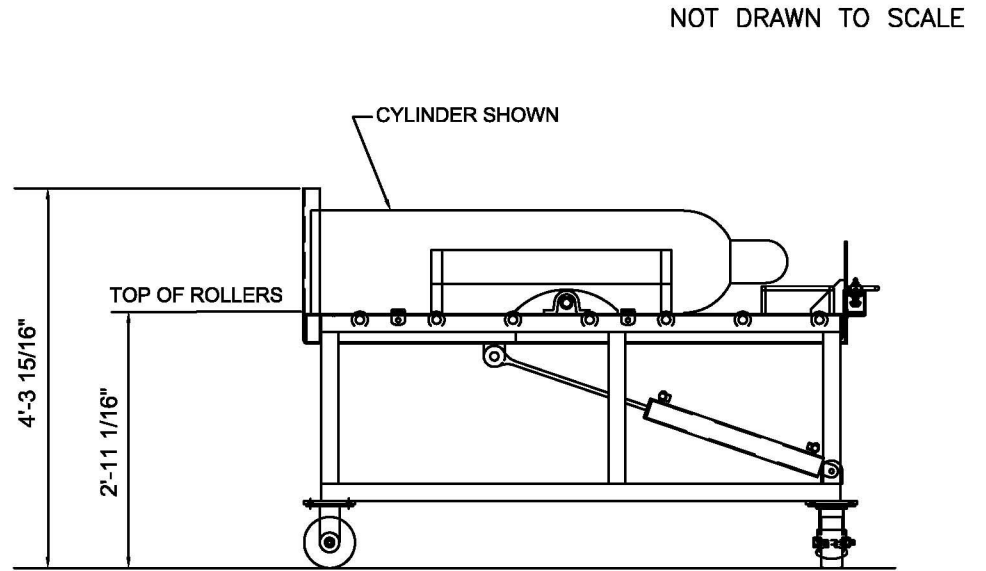
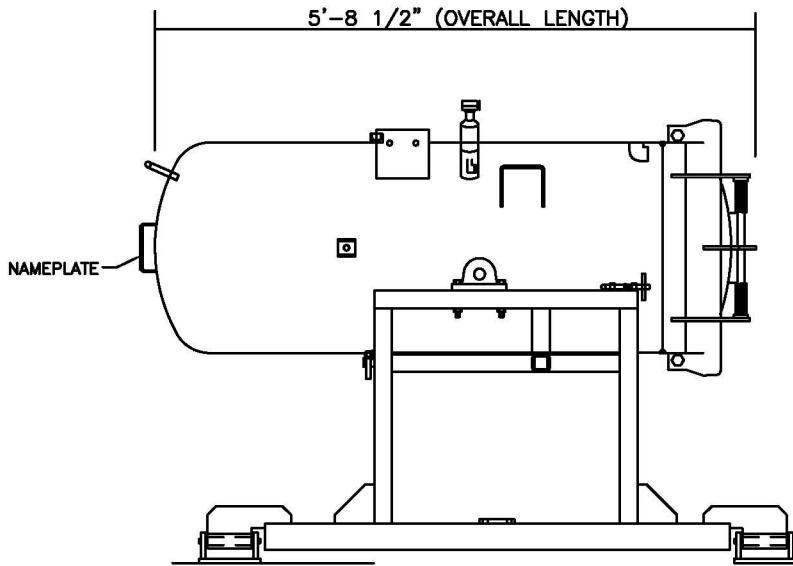
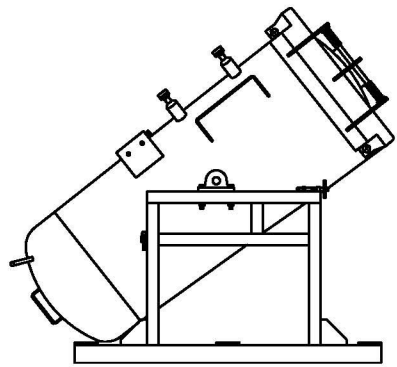


Area Requirements for 150# Cylinder Vessels with Movable Loader Cart

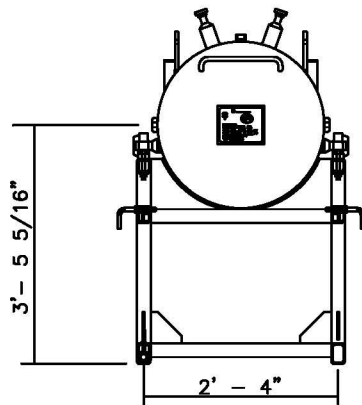
Site layout consultation services available at no extra charge



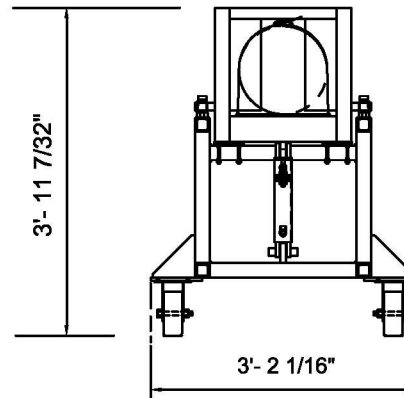
Vessel and Loader positioned for cylinder loading



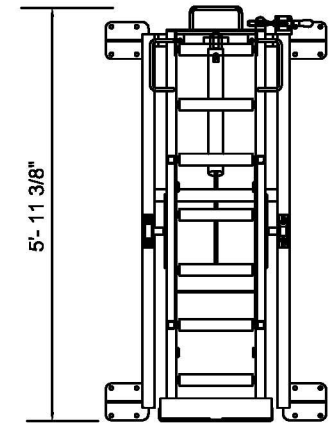
Vessel Positioned for Operating Mode



End View of Vessel



End View of Loader



Top View of Loader